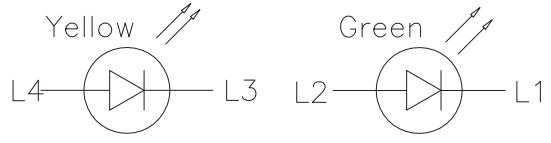
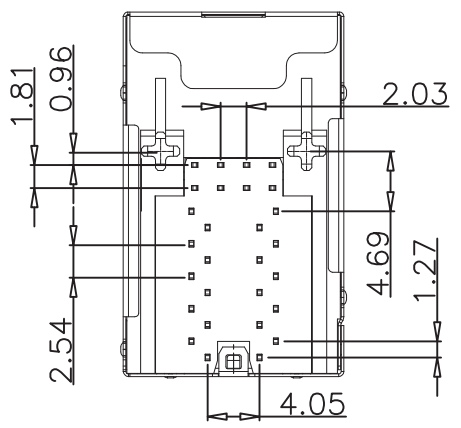
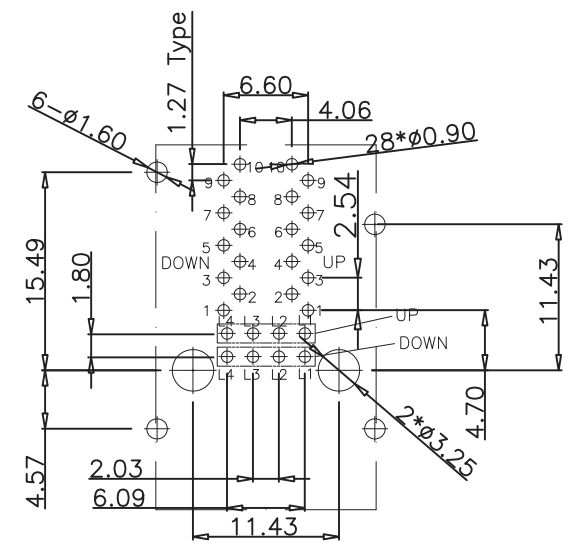
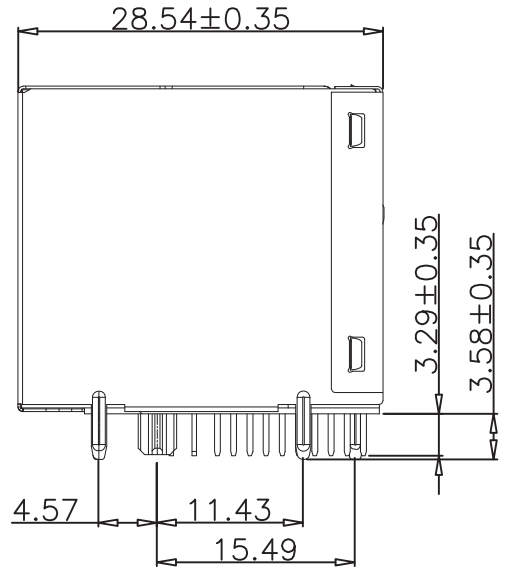
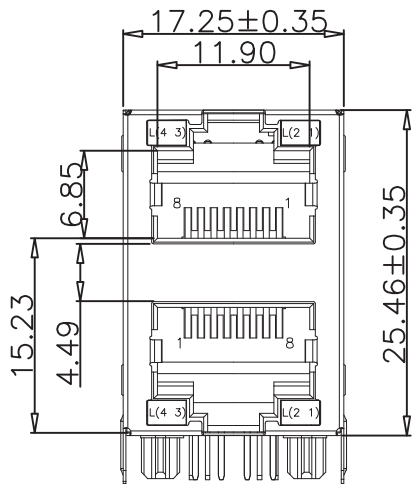


Mechanical:

| REV. | DESCRIPTION | APPD. | DATE |
|------|-------------|--------|----------|
| A | ISSUE | Victor | 20/11'13 |
| | | | |



RECOMMENDED PCB LAYOUT
Ref.

MATERIAL:

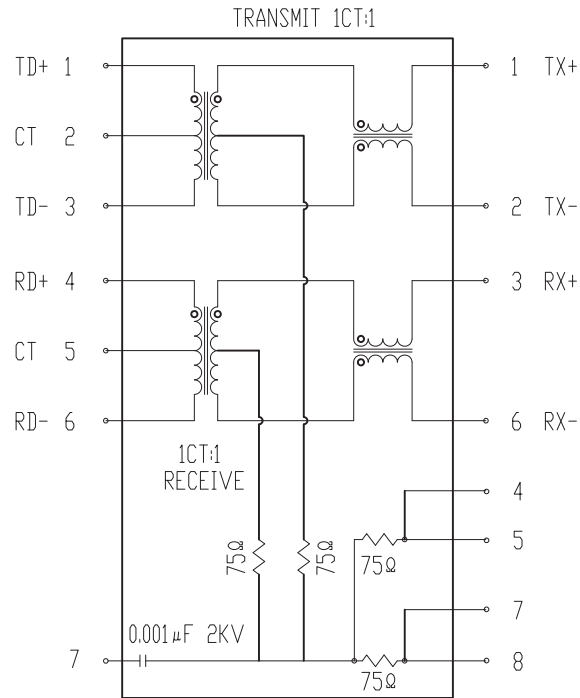
- HOUSING: PLASTIC PA66 UL94V-0
- CONTACTS: 0.35mm THICK PHOS-BRONZE
PLACK WITH 6u" GOLD IN CONTACT AREA AND TIN
AND TIN IN SOLDER AREA, AND NICKEL PLATED IN ALL AREA
- SHIELD: 0.20mm THICK STAINLESS STEEL WITH NICKEL PLATED

RoHS Compliant

| | | | | | | |
|------------------------|----------|-----------------|---------------------|-------|-------|------|
| UNSPECIFIED TOLERANCE: | | 东莞市涪程电子科技有限公司 | | | | |
| .X± 0.35 | X°.± 3' | | | | | |
| .XX± 0.25 | .X'± 2' | | | | | |
| .XXX± 0.15 | .XX'± 1' | APPD: | TITLE: | | | |
| | | CHKD: | 2*1 100M带灯左黄右绿 | | | |
| | | DR: | PART NO. | | | |
| | | Victor 20/11'13 | FCRJ45-F4-16-1104A1 | | | |
| | | | SCALE | SHEET | UNITS | REV. |
| | | | 1:1 | 1/2 | mm | A |

Schematics:

| REV. | DESCRIPTION | APPD. | DATE |
|------|-------------|--------|----------|
| A | ISSUE | Victor | 20/11'13 |
| | | | |
| | | | |



Transmitter & Receiver Filter:

1. Insertion Loss (dB MAX)
1~100MHz -1.0
2. Return Loss at 100W(dB MIN)
1~30MHz -18
30~60MHz -16
60~80MHz -12
3. Common Mode Rejection
1~100 MHz: -30dB MIN
4. Cross Talk
1~100 MHz: -35dB MIN
5. Inductance:
350uH MIN @100KHz/ 0.1V, 8mA DC BIAS
6. HiPot Test: 1500Vrms(or 2250VDC), 60sec
7. LED: Forward Voltage (V)@ 20mA
Typical :2.2 / MAX :2.6

ELECTRICAL SPECIFICATIONS AT 25°C

| Insertion Loss dB max | Return Loss dB min | | | Crosstalk(dB TYP) | | | Common Mode Rejection (dB TYP) | | Hpot(vrms) |
|-----------------------|--------------------|---------|----------|-------------------|---------|----------|--------------------------------|---------|------------|
| | 1-100MHz | 1-30MHz | 30-60MHz | 60-100MHz | 1-30MHz | 30-60MHz | 60-100MHz | 1-50MHz | |
| -1.0 | -18 | -16 | -12 | -40 | -35 | -30 | -30 | -20 | 1500/0.5mA |

RoHS Compliant

| | | | | | | | |
|------------------------|------|------|---|--|--|--|----|
| UNSPECIFIED TOLERANCE: | | | 东莞市涪程电子科技有限公司 APPD: TITLE: CHKD: 2*1 100M带灯左黄右绿 DR: Victor 20/11'13 PART NO. FCRJ45-F4-16-1104A1 SCALE SHEET UNITS REV. 1:1 2/2 mm A | | | | |
| .X± | 0.35 | X± | | | | | 3' |
| .XX± | 0.25 | .X± | | | | | 2' |
| .XXX± | 0.15 | .XX± | 1' | | | | |